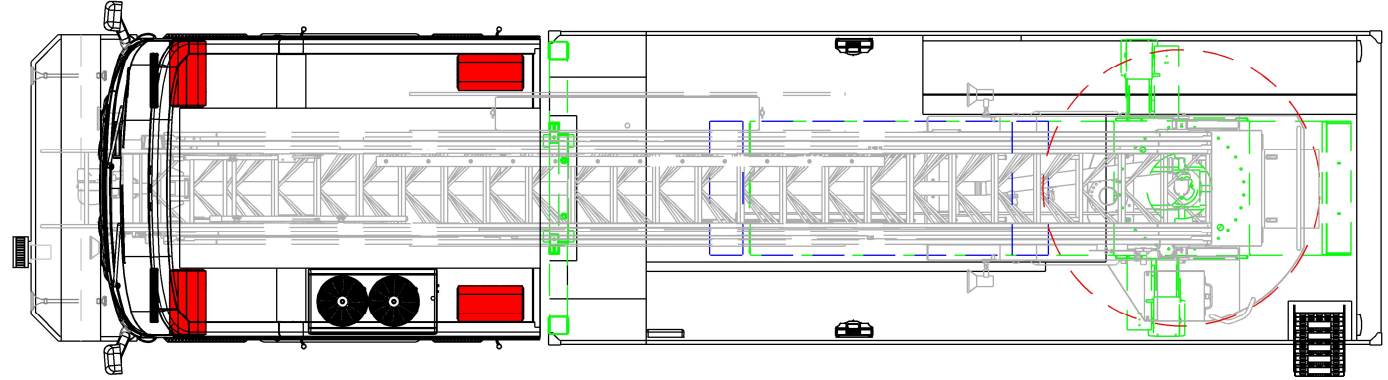
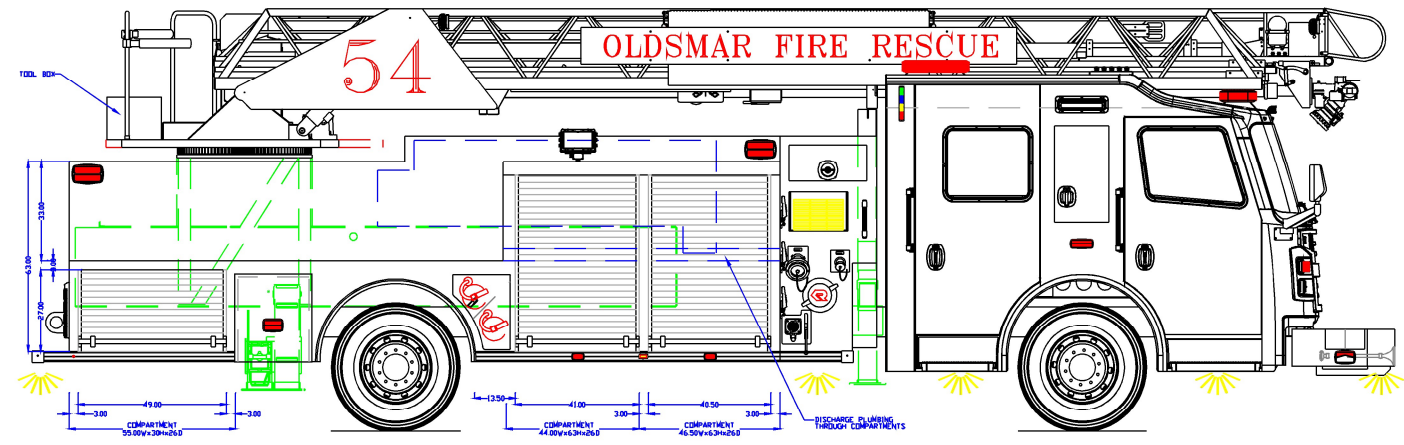
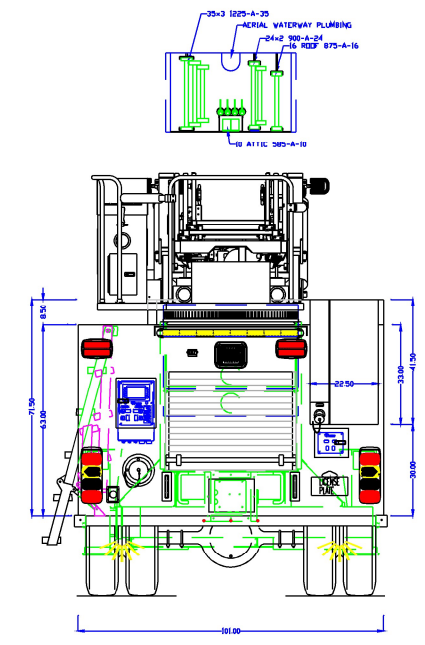
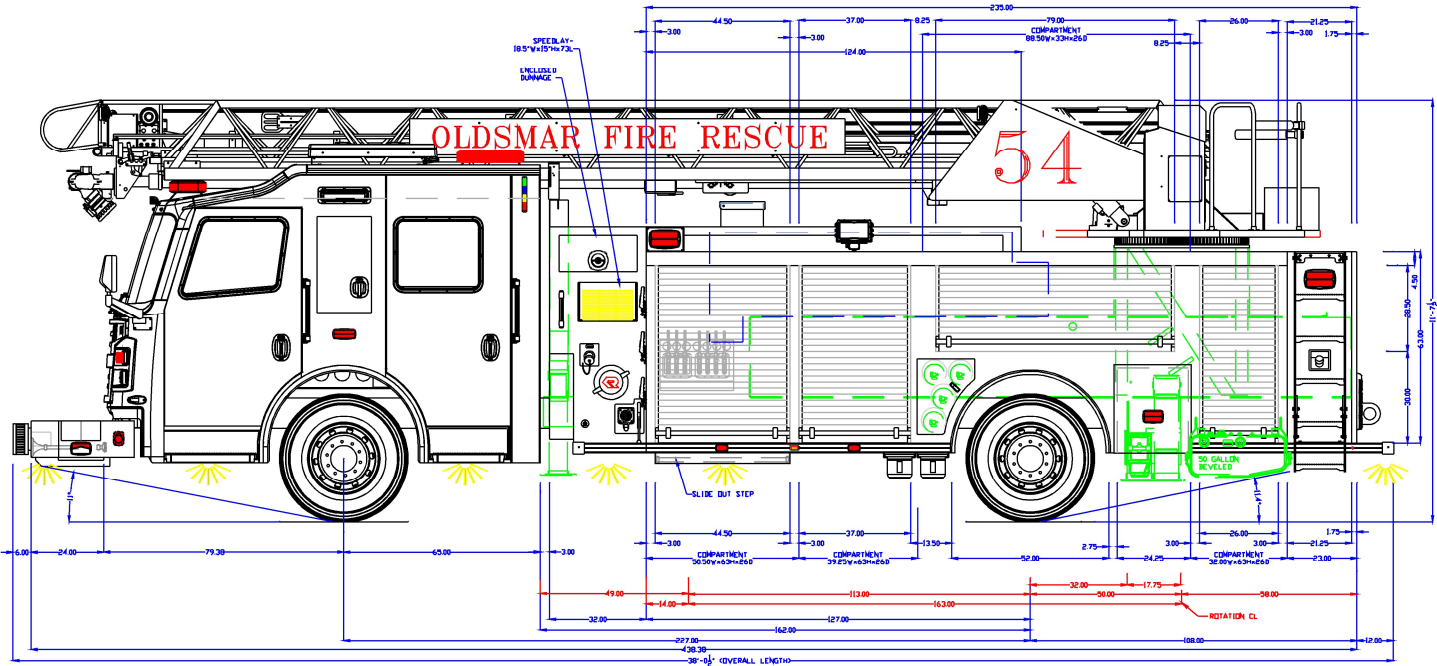
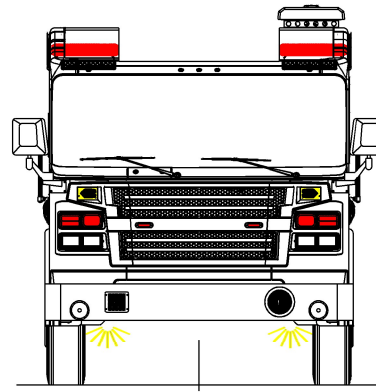


INITIALS: EH
 JOB NUMBER: 7591
 DATE: 4/25/2023

MAIN FILE: -
 DEPT: -
 DEALER: -
 PRODUCTION APPROVED



- NOTES:
1. OVERALL HEIGHT IS IN LOADED CONDITION. UNLOADED HEIGHTS MAY BE 4" ABOVE HEIGHTS SHOWN.
 2. DO NOT SCALE DRAWING.
 3. ALL DIMENSIONS ARE APPROXIMATE AND SUBJECT TO ENGINEERING CHANGES.
 4. DRAWING MAY OR MAY NOT SHOW ALL ITEMS AS DESCRIBED IN THE WRITTEN DETAIL SPECIFICATIONS.
 5. INCLUSION OF AN ITEM ON THE DRAWING DOES NOT CONSTITUTE INCLUSION OF THAT ITEM WITH THE FINAL DELIVERED UNIT.
 6. THE EFFECTIVE DOOR OPENINGS WILL BE APPROX. 2" LESS THAN THE NOTED COMPARTMENT OPENING FOR ROLL UP DOORS AND UP TO APPROX. 4" LESS FOR HINGED DOORS



APPROVED BY:

CHASSIS:	COMMANDER 6511
PUMP:	ROSENBAUER 1500 GPM
TANK:	POLY/500
PANEL MATL:	STAINLESS STEEL
COMP INTERIOR:	SPATTER PAINTED
MAXIMUM HEIGHT:	NONE
MAXIMUM LENGTH:	NONE
BODY WIDTH:	101"

REVISED: - DATE: -
 DRAWN: BPC DATE: 10-31-2022
 PROPRIETARY AND CONFIDENTIAL
 THE INFORMATION CONTAINED IN THIS DRAWING IS THE SOLE PROPERTY OF ROSENBAUER. ANY REPRODUCTION IN PART OR AS A WHOLE WITHOUT THE WRITTEN PERMISSION OF ROSENBAUER IS PROHIBITED.

OLDSMAR, FL FIRE & RESCUE



ROSENBAUER FX 1/8"
 MODEL NAME: OLDSMAR, FL MP3 78' VIPER 2